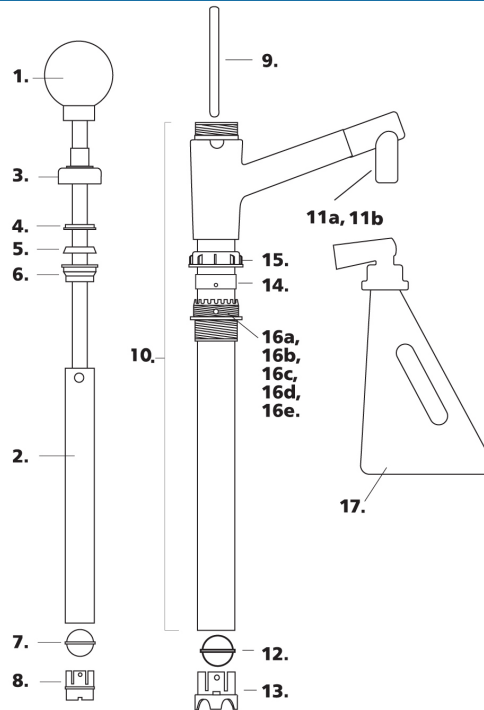




Parts list for:

# Ezi-action® 200/55 Drumpump, 100/25 Drumpump, 60/15 Drumpump



Parts	Part no.
1.	Ball Handle DP 40625
2.	Plunger DP 40700
3.	Pumphead Cap DP 40701
4.	Pumphead Scraper Seal DP 40720
5.	Pumphead Seal DP 40702
6.	Pumphead Seal Holder DP 40703
7.	Plunger Valve Flap DP 40704
8.	Plunger Valve Holder DP 40705
9.	Safety Strap DP 40655
10.	Pump Body 200/55PP DP 40706
11a.	Straight Spout Outlet Nozzle DP 40724
11b.	Safety Measure Outlet Nozzle* DP 40725
12.	Foot Valve Flap DP 40707
13.	Foot Valve Holder DP 40708
14.	Drum Attachment Seal DP 40642
15.	Drum Attachment Cap DP 40682
16a.	Drum Attachment fitting MBSP DP 40641
16b.	Drum Attachment fitting (NPT) MR DP 40660
16c.	Drum Attachment fitting M55 DP 40652
16d.	Drum Attachment fitting M63 DP 40653
16e.	Drum Attachment fitting M69 DP 40654
17.	EZI-action Safety Measure 1 Litre DP 40961

\* Safety Measure Outlet Nozzle is designed to receive the Ezi-action Safety Measure (optional).

New Zealand Pump  
Company Ltd  
P.O. Box 821,  
Hamilton 3240  
NEW ZEALAND

Phone: +64 (0)7 839 3838  
Fax: +64 (0)7 839 1193  
E-Mail:  
info@nzpump.co.nz

NZ Pump Company Inc  
1107 Fair Oaks, Box 289,  
South Pasadena,  
CA 91030-3311 USA

Phone: +1 626 458 8023  
Fax: +1 626 458 8024  
Email:  
jimmaines@msn.com

NZ Pump Company  
(Europe) Ltd  
Bakewell House  
Bretby Business Park  
Ashby Rd  
Staffordshire DE150YZ  
UK

Phone: +44 (0) 1283553255  
Fax: +44 (0) 1283553256  
Email:  
europesales@nzpump.com